

bring back a daisy



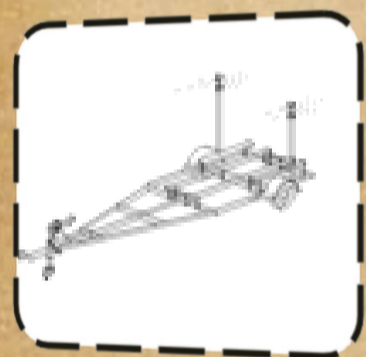
find a smooth stone



find an three different types of leaves.



What are the names of one of the neighbours.



How many tires on the boat trailer



Find a shell



Find two Inukshuks and draw them on the back of this page. (Don't touch the Inukshuks)



Find a least one thing a squirrel will hide for the winter.



find a leaf that has been eaten by an insect



get someone over 40 to watch you do a cartwheel and sign this sheet

